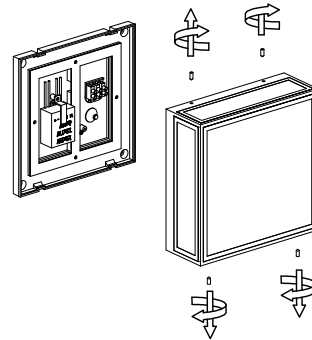
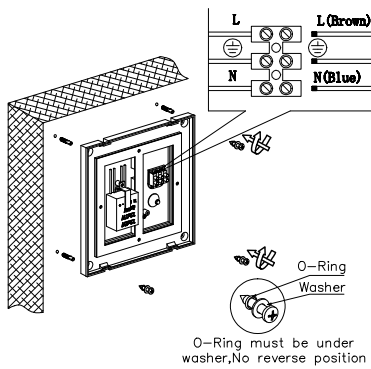


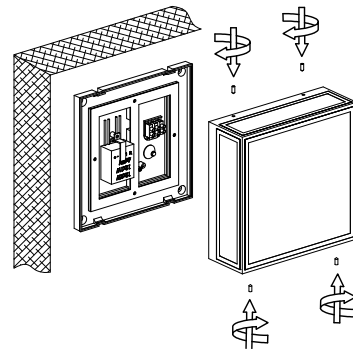
1. Turn off the general switch



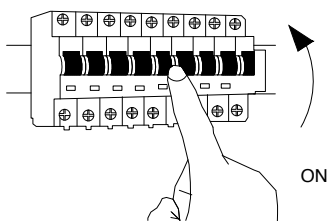
2. Untie screws & remove lid



3. Install cable, connect wires & tie up screws to make it stable



4. Apply the lid & tie up side screws



5. Turn on the general switch

