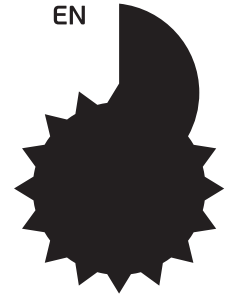


SINCE 1978

EN

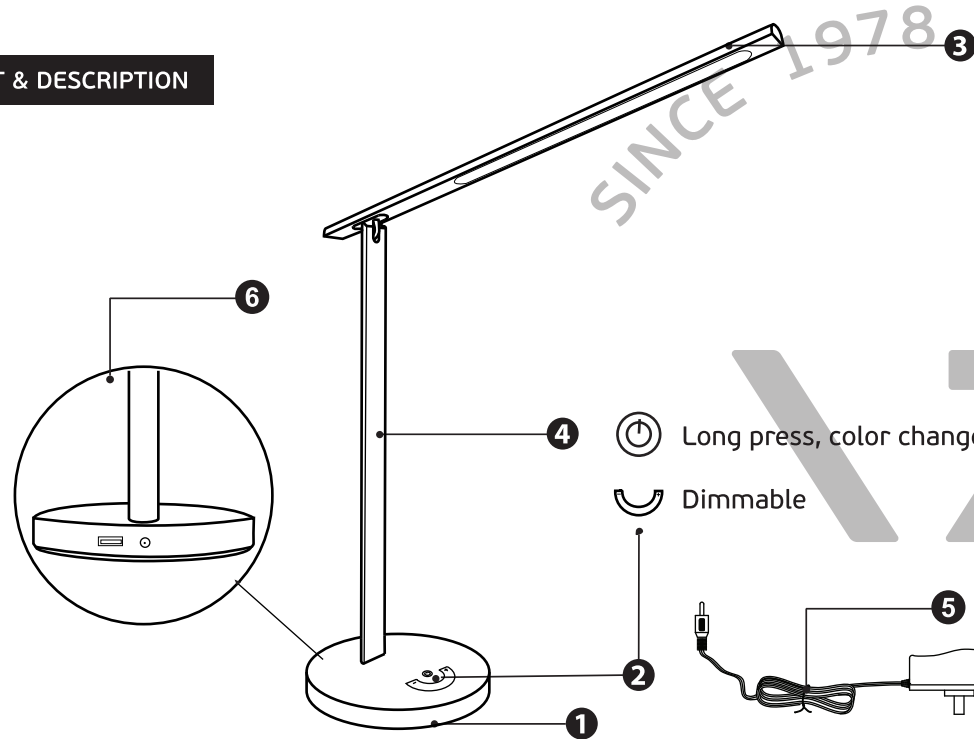
VX Installation Desk Led Light

VK/04238



LEADING LIGHT

PART & DESCRIPTION



1. Base
2. Touch switch
3. Shade
4. Pole
5. Driver: DC 12V, 1A
6. DC hole and 5V 1A USB output

IMPORTANT SAFEGUARDS

To ensure that your desk lamp gives long-lasting enjoyment, please observe the following safety instructions:

1. Before the first connecting of the appliance ensure that voltage indicated on the rating label corresponds the mains voltage in your home.
2. The desk lamp is checked on full conformity to the quality standards and safety.
3. The manufacturer is not responsible for damage of properties and persons, caused by incorrect use of the unit.
4. In case of doubts, please consult a specialist.

USING YOUR DESK LAMP

1. Do not use the desk lamp outdoors.
2. Unpack and place the desk lamp on a flat surface.
3. Plug to the power supply.
4. Adjust the soft tube to you want location.

CLEANING

1. Before cleaning always unplug the desk lamp from the power supply.
2. Wipe the base, shade and soft tube with damp cloth.
3. Do not immerse the appliance in water. Do not use detergent or abrasives for cleaning.

VK Leading Light / Vaios I. Karakostas S.A. Imports - Exports Trade

A: 8 Aristotelous St, Tavros, 177 78 Athens, Greece T: +30 210 99 69 610-11, +30 210 34 58 072, +30 210 34 58 075 F: +30 210 99 58 374 E: info@vkleadinglight.gr W: vkleadinglight.gr